

# U.are.U® 4000B Reader

## USB Fingerprint Reader



### Target Applications

- Desktop PC security
- Mobile PCs
- Custom applications

### Features

- Superior ESD resistance
- Small form factor
- Excellent image quality
- Encrypted fingerprint data
- Latent print rejection
- Counterfeit finger rejection
- Rotation invariant
- Rugged
- Works well with dry, moist, or rough fingerprints
- Compatible with Windows® Vista, XP Professional, 2000 and Windows Server 2000, 2003

### Key Specifications

- Pixel resolution: 512 dpi (average x, y over the scan area)
- Scan capture area: 14.6 mm (nom. width at center) 18.1 mm (nom. length)
- 8-bit grayscale (256 levels of gray)
- Reader size (approximate): 79 mm x 49 mm x 19 mm
- Compatible with USB 1.0, 1.1 and 2.0 (Full Speed) specifications
- Indoor, home and office use



### Product Description

The U.are.U 4000B Reader is a USB fingerprint reader designed for use with DigitalPersona's enterprise software applications and developer tools.

The user simply places their finger on the glowing reader window, and the reader quickly and automatically scans the fingerprint. On-board electronics calibrate the reader and encrypt the scanned data before sending it over the USB interface.

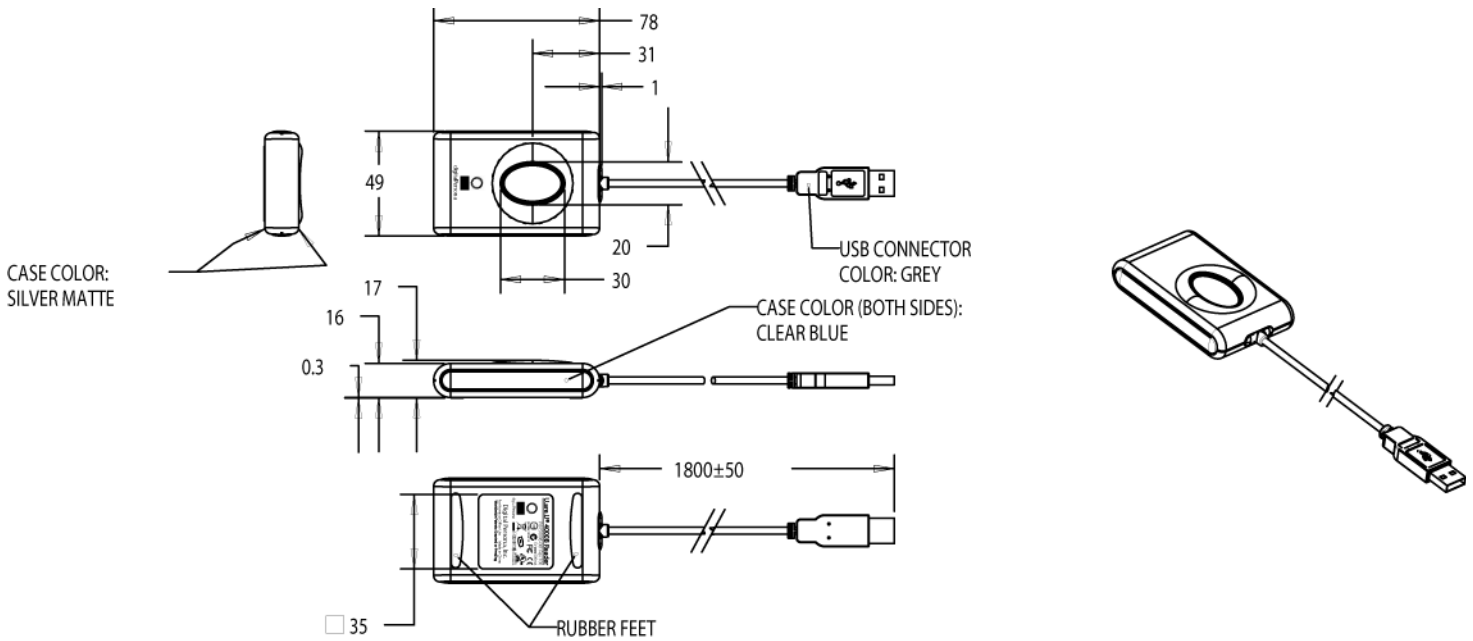
DigitalPersona readers utilize optical fingerprint scanning technology to achieve excellent image quality, a large capture area and superior reliability. The U.are.U 4000B Reader and DigitalPersona® Fingerprint Recognition Engine have an unmatched ability to authenticate even the most difficult fingerprints accurately and rapidly regardless of placement angle.

The U.are.U 4000B Reader can be purchased with DigitalPersona Pro Workstation, DigitalPersona Pro Kiosk, DigitalPersona Online or DigitalPersona Integrator packages. Whether you are an enterprise customer or a system integrator, DigitalPersona's fingerprint authentication solutions provide a natural extension to your security system and applications.



digitalPersona.

**Mechanical Specifications**



**Ratings**

<b>Supply Voltage</b>	5.0V ±5% supplied by USB
<b>Supply Current—scanning</b>	190 mA (Typical)
<b>Supply Current—idle mode</b>	140 mA (Typical)
<b>Supply Current—suspend mode</b>	1.5 mA (Maximum)
<b>ESD Susceptibility</b>	>15 kV, mounted in case
<b>Temperature, Operating</b>	0 - 40 C
<b>Humidity, Operating</b>	20% - 80% non-condensing
<b>Temperature, Storage</b>	-10 - 60 C
<b>Humidity, Storage</b>	20% - 90% non-condensing
<b>Scan Data</b>	8-bit grayscale
<b>Standards Compliance</b>	FCC Class B, CE, ICES, BSMI, MIC, USB, WHQL

Data subject to change without notice.



**DigitalPersona, Inc.**  
720 Bay Road  
Redwood City, CA 94063  
USA

Tel: +1 650.474.4000  
Fax: +1 650.298.8313  
E-Mail: [info@digitalpersona.com](mailto:info@digitalpersona.com)  
Web: [www.digitalpersona.com](http://www.digitalpersona.com)

© 2005-2007 DigitalPersona, Inc. All rights reserved.  
DigitalPersona, and U.are.U are trademarks of DigitalPersona, Inc.  
registered in the U.S. and other countries. All other brand and  
product names are trademarks or registered trademarks of their  
respective owners. MC-032-082007