



**FBI APPENDIX F FAP 45 CERTIFIED
TWO-FINGER ROLL SCANNER**



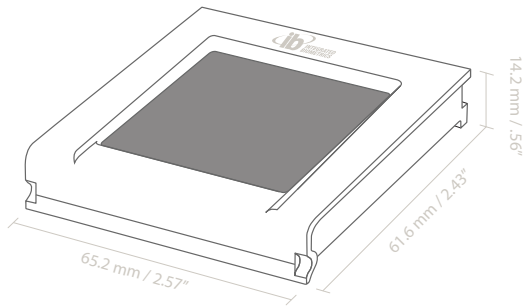
Amazingly small, incredibly durable,
remarkably efficient FAP 45 scanner



IB's patented Light Emitting Sensor (LES) film
produces the highest quality fingerprint
images in the certified market



Applications: Standalone fingerprint scanner
Embedded module for mobile applications
also available



✓ BENEFITS

- Enables fingerprint capture in standalone applications, smartphones, and tablets
- Light weight (<55 grams / 1.94oz)
- Dual at print and single-finger roll scan
- No membranes
- Ideal for use with mobile computers, hand-held devices, smartphones, and tablets
- Excellent with dry and dirty fingers
- Durable and shock resistant
- Operates in direct sunlight

RESOLUTION	500 PPI	GRAYSCALE	256 grayscale dynamic range
SENSING AREA	1.6" x 1.5" / 40 mm x 38 mm	IMAGE SIZE	800 x 750 pixels
SUPPORTED IMAGE FORMATS	RAW, JPEG2000, BMP, PNG, WSQ	PRODUCT WEIGHT	<55 Grams / 1.94oz
OPERATING TEMPERATURE	-10°C ~ +55°C / 14°F ~ 131°F	STORAGE TEMPERATURE	-40°C ~ +80°C / -22°F ~ 140°F
HAZARDOUS MATERIAL	RoHS Directive 2002/95/EC	INGRESS PROTECTION	IP65 Sealed bezel to scanning surface
USB CERTIFICATION SPEC	USB-IF USB.ORG	SURFACE DURABILITY	MIL-C-675c 4.5010, MIL-STD-810F
INTERFACE	USB 2.0 (Pogo Pin, Molex 51146-0600, Molex 51021-0600)		
HUMIDITY	30~85% RH < 40°C / 104°F (Non-condensing)		
USB POWER REQUIREMENT	4.40V – 5.25V, Full Scanning TFT <300mA; Suspend <2mA		
SCANNER PHYSICAL SIZE	65.1 mm x 61.7 mm x 14.2 mm / 2.56" x 2.43" x 0.56"		
FCC/CE CONFORMANCE	FCC Part 15 (per ANSI C62.4:2003) Class A, CSA ICES-003 Class A, CE Emissions: EN 55022:2006 Class A, CE Immunity EN 55024:1998/A1:2001/A2:2003, IEC 61000-4-2		
FBI CERTIFICATION	Mobile ID IQS FAP 45, PIV, GSA FIPS 201, FBI Appendix F Certified		
POWER CONSUMPTION	<270mA during full scanning mode / standby 60mA		
AIR DISCHARGE / CONTACT DISCHARGE	In compliance with IEC 61000-4-2		
API INTERFACE	Capture Single Finger Direct / Rolls - Multi-device / Multi-thread support		
OS SUPPORT	Windows 7, Windows 8.X Windows Server, Windows Mobile 6.5, Linux, Android 4.0 (or higher)		
SURFACE RESISTANCE	Ammonia, IPA, Methanol, Soaps/detergents, Salt Water		
VIBRATION TEST	per MIL-STD-810F (Method 514.5), Category 24, Fig. 514.5C-17		



PRODUCT OPTION	PART NUMBER
Sherlock with Pogo Pin	IBHTFT2FR-01
Sherlock with J1 Port Cable	IBHTFT2FR-02
Sherlock with 6" J1 Port Cable	IBHTFT2FR-03
Sherlock Pogo Pin with Jumper set to enable sleep mode	IBHTFT2FR-04
Sherlock Boot	IBHTFT2FR-01SK
Sherlock Kit	IBHTFT2FR-01SKA