



**FBI APPENDIX F FAP 45 CERTIFIED
TWO-FINGER ROLL SCANNER**



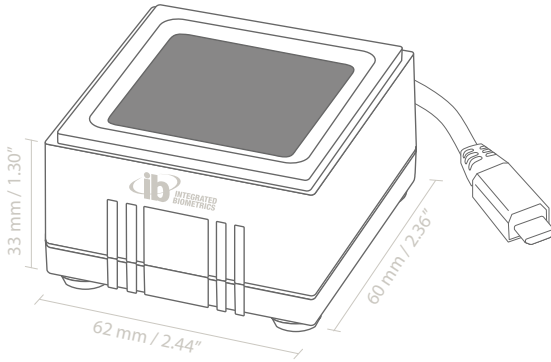
Amazingly small, incredibly durable,
remarkably efficient FAP 45 scanner



IB's patented Light Emitting Sensor (LES) film
produces the highest quality fingerprint
images in the certified market



Applications: Standalone fingerprint scanner
Embedded module for mobile applications
also available



BENEFITS

- Enables fingerprint capture in standalone applications, smartphones, and tablets
- Light weight (85 grams)
- Dual flat print and single-finger roll scan
- No membranes
- Ideal for use with mobile computers, hand-held devices, smartphones, and tablets
- Excellent with dry and dirty fingers
- Durable and shock resistant
- Operates in direct sunlight

RESOLUTION	500 PPI	GRAYSCALE	256 Grayscale Dynamic Range
SUPPORTED IMAGE FORMATS	RAW, WSQ, BMP, JPEG2000, PNG	SENSING AREA	1.6" x 1.5" / 40.64 mm x 38.1 mm
IMAGE SIZE	800 x 750 pixels	INTERFACE	USB 2.0
USB CERTIFICATION SPEC	USB-IF USB.ORG	USB LEVEL	4.40V – 5.25V
POWER SOURCE	USB Host	HAZARDOUS MATERIAL	RoHS Directive 2002/95/EC
INGRESS PROTECTION	IP65 bezel to film	SURFACE DURABILITY	MIL-C-675c 4.5010, MIL-STD-810F
HUMIDITY	30–85% RH < 40°C / 104°F (Non-condensing)	OPERATING TEMPERATURE	-20°C ~ +60°C / -4°F ~ 140°F

SCANNER ASSEMBLY	2.36" x 2.44" x 1.30" / 60mm x 62mm x 33mm
FCC/CE CONFORMANCE	FCC Part 15 (per ANSI C62.4:2003) Class A, CSA ICES-003 Class A, CE Emissions: EN 55022:2006 Class A, CE Immunity EN 55024:1998/A1:2001/A2:2003, IEC 61000-4-2
CERTIFICATION	Mobile ID IQS FAP 45, PIV, GSA FIPS 201, FBI Appendix F Certified
POWER CONSUMPTION	DC Current: <40mA idle, <250mA VBUS = +5.0VDC full scanning
API INTERFACE	Capture Two Finger Direct and Single Finger Roll Image, Multi-device / Multi-thread support
OS SUPPORT	Windows 7, Windows 8.X, Windows Server, Windows Mobile 6.5, Linux, Android 4.0 (or higher)
SURFACE RESISTANCE	Ammonia, IPA, Methanol, Soaps/detergents, Salt Water
VIBRATION TEST	per MIL-STD-810F (Method 514.5), Category 24, Fig. 514.5C-17



PRODUCT OPTION	PART NUMBER
Watson Mini USB Type A - 4ft (1.22 m) cable	IBHWM2FR-01
Watson Mini 3" (7.62 cm) Micro USB Type B	IBHWM2FR-02
Watson Mini 24" (60.96 cm) Micro USB Type B	IBHWM2FR-03
Watson Mini Embedded 7.87" (20 cm) cable - molex connector	IBHWM2FR-01
Watson Mini Embedded, molex connector - standard embedded	IBHWMRAP-01

*OEM versions available with sleep mode functionality (IDC<2mA), **USB-IF certified connectors may be required for some USB ports